

Socket Weld Flange Kits

Fig. 2

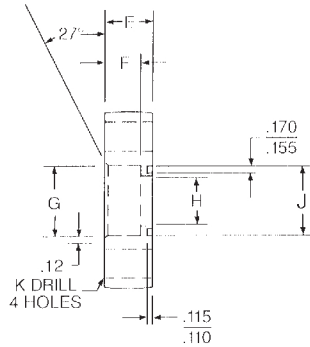
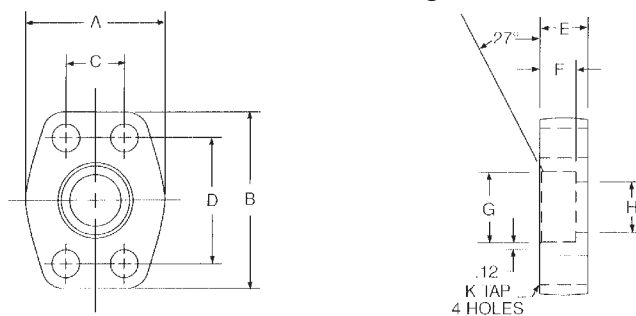


Fig. 3



◆ O-ring flange includes O-ring, bolts and lock washers.

◆ Dimensions are in inches.

◆ 3000 PSI Flat Socket -Pipe, Code 61

O-Ring Part # Fig 2	Companion Part # Fig 3	Pipe Size	Pad Size	A	B	C	D	E	F	G Dia.	H Dia.	J Dia. Min.	J Dia. Max.	K Drill Dia.	K Tap UN-2B
W4-8-8-U	W61-8-8	.500	.500	1.813	2.125	.688	1.500	.750	.560	.855	.500	1.000	1.005	.344	5/16-18
W4-12-12-U	W61-12-12	.750	.750	2.063	2.563	.875	1.875	.750	.560	1.062	.750	1.250	1.255	.406	3/8-16
W4-16-16-U	W61-16-16	1.00	1.00	2.313	2.750	1.031	2.063	.880	.630	1.328	1.00	1.560	1.565	.406	3/8-16
W4-20-20-U	W61-20-20	1.25	1.25	2.875	3.125	1.188	2.313	.940	.690	1.672	1.25	1.750	1.755	.469	7/16-14
W4-24-24-U	W61-24-24	1.50	1.50	3.250	3.688	1.406	2.750	1.190	.750	1.922	1.50	2.115	2.125	.531	1/2-13
W4-32-32-U	W61-32-32	2.00	2.00	3.813	4.000	1.688	3.063	1.380	.875	2.406	2.00	2.490	2.500	.531	1/2-13
W4-40-40-U	W61-40-40	2.50	2.50	4.281	4.500	2.000	3.500	1.750	1.00	2.906	2.50	2.995	3.005	.531	1/2-13
W4-48-48-U	W61-48-48	3.00	3.00	5.156	5.313	2.438	4.188	2.120	1.25	3.547	3.00	3.615	3.625	.656	5/8-11

◆ 6000 PSI Flat Socket -Pipe, Code 62

O-Ring Part # Fig 2	Companion Part # Fig 3	Pipe Size	Pad Size	A	B	C	D	E	F	G	H	J Max.	J Min.	K Drill Dia.	K Tap UN-2B
W59-8-8-U	W60-8-8	.500	.500	1.88	2.22	.718	1.594	1.250	.560	.855	.500	1.005	1.000	.344	5/16-18
W59-12-12-U	W60-12-12	.750	.750	2.38	2.81	.937	2.000	1.250	.560	1.063	.750	1.255	1.250	.406	3/8-16
W59-16-16-U	W60-16-16	1.00	1.00	2.75	3.19	1.093	2.250	1.500	.630	1.328	1.00	1.565	1.560	.469	7/16-14
W59-20-20-U	W60-20-20	1.25	1.25	3.06	3.75	1.250	2.625	1.500	.690	1.672	1.25	1.755	1.750	.531	1/2-13
W59-24-24-U	W60-24-24	1.50	1.50	3.75	4.44	1.437	3.125	1.750	.750	1.922	1.50	2.125	2.115	.656	5/8-11
W59-32-32-U	W60-32-32	2.00	2.00	4.50	5.25	1.750	3.812	1.750	.875	2.406	2.00	2.500	2.490	.781	3/4-10
W59-40-40-U	W60-40-40	2.50	2.50	5.87	6.87	2.312	4.875	2.060	1.000	2.906	2.50	3.005	2.995	.906	7/8-9
W59-48-48-U	W60-48-48	3.00	3.00	7.00	8.50	2.812	6.000	2.620	1.250	3.547	3.00	3.625	3.615	1.156	1-1/8-7