



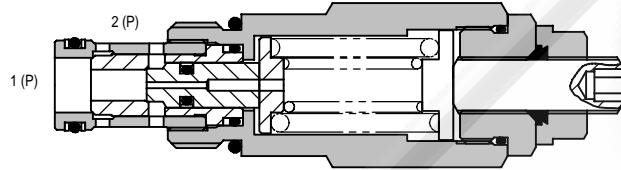
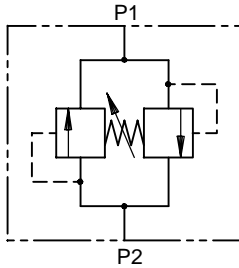
# 1CLLR SERIES DUAL RELIEF VALVE

## DIRECT ACTING DIFFERENTIAL AREA

### 1CLLR50

POPPET TYPE

3



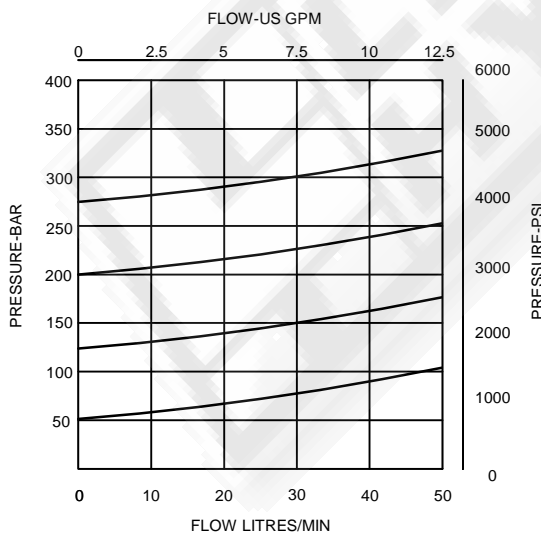
### APPLICATION

To protect both lines in a circuit from over pressurisation by relieving oil to the other line. Ideal for use with motors or directional valves as a safety relief. Differential area, fast acting, poppet valve.

### OPERATION

Pressure acts over one of two differential areas forcing the poppet back allowing relief flow to the other port. This being a single cartridge is ideal for mounting on to the motor in a special housing.

### PRESSURE DROP



### FEATURES

Single cartridge relieving in both directions cutting down space requirements, giving full adjustment through its range on both pressures at the same time.

### SPECIFICATIONS

Figures based on: Oil Temp = 40°C Viscosity = 40 cSt

<b>Rated Flow</b>	50 litres/min (12 US GPM)
<b>Max Setting</b>	350 bar (5000 psi)
<b>Cartridge Material</b>	Working parts hardened and ground steel. External steel surfaces zinc plate.
<b>Body Material</b>	Standard aluminium (up to 210 bar*) Add Suffix '377' for steel option
<b>Mounting Position</b>	Unrestricted
<b>Cavity Number</b>	A12370 (See Section 17)
<b>Torque Cartridge into Cavity</b>	30 Nm (22 lbs ft)
<b>Weight</b>	1CLLR50 0.23 kg (0.5 lbs) 1CLLR55 0.8 kg (1.8 lbs)
<b>Seal Kit Number</b>	SK1028 (Nitrile) SK1028V (Viton)
<b>Recommended Filtration Level</b>	BS5540/4 Class 18/13 (25 micron nominal)
<b>Operating Temp</b>	-20°C to +90°C
<b>Leakage</b>	5 millilitres/min
<b>Nominal Viscosity Range</b>	5 to 500 cSt

\*For applications above 210 bar please consult our technical department or use the steel body option.

### Integrated Hydraulics Ltd

Collins Road, Heathcote Ind. Est., Warwick, CV34 6TF, UK.  
Tel: +44 (0) 1926 881171 Fax: +44 (0) 1926 315729  
Website: www.integratedhydraulics.com

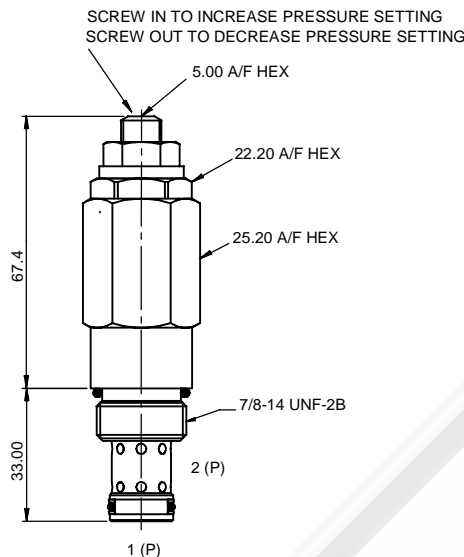
### Integrated Hydraulics Inc

7047 Spinach Drive, Mentor, Ohio 44060, USA  
Tel: (440) 974 3171 Fax: (440) 974 3170  
Website: www.integratedhydraulics.com



**CARTRIDGE ONLY**

**BASIC CODE: 1CLLR50**

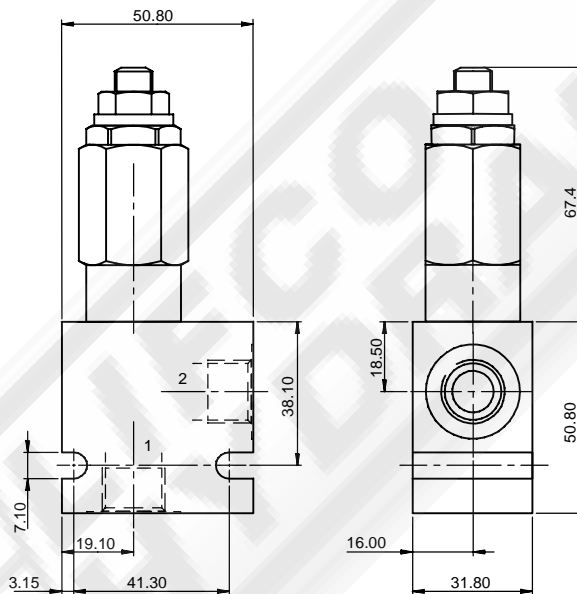


**COMPLETE VALVE 3/8" 1/2" PORTS**

**BASIC CODE: 1CLLR55**

Body ONLY part numbers

<i>BSP, aluminium</i>		<i>SAE, aluminium</i>	
3/8"	B19053	3/8"	B19401
1/2"	B19356	1/2"	B19402



Where measurements are critical request certified drawings

**ORDERING CODE EXAMPLE**

**1CLLR\*\*\* F 3W 35 S**

**Basic Code**

- 1CLLR50 = Cartridge Only
- 1CLLR55 = Cartridge and Body

**Adjustment Means**

- F = Screw Adjustment

**Port Sizes - Bodied Valves Only**

- 3W = 3/8" BSP      6T = 3/8" SAE
- 4W = 1/2" BSP      8T = 1/2" SAE

**Seals**

- S = Nitrile (For use with most industrial hydraulic oils)
- SV = Viton (For high temperature and most special fluid applications)

**Pressure Range @ 14 l/min**

- 35 = 114-350 bar. Std setting 280 bar
- Std setting made at 14 litres/min

We reserve the right to change specifications without notice