



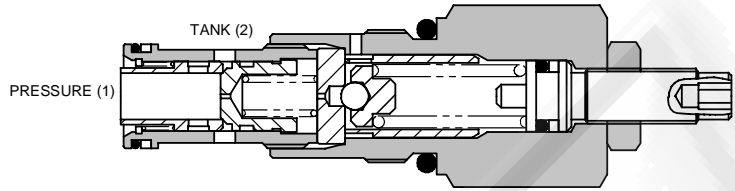
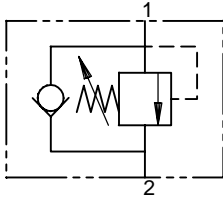
1ARC SERIES RELIEF VALVE

PILOT OPERATED WITH ANTI-CAVITATION CHECK

1ARC100

SLIDING SPOOL TYPE

2



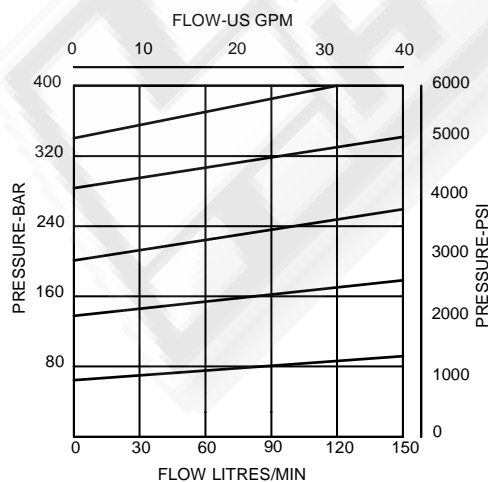
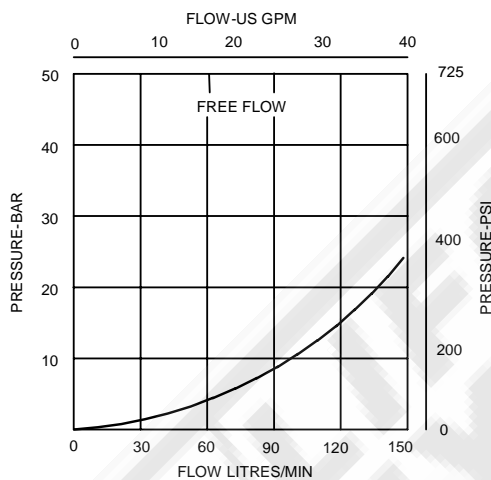
APPLICATION

To limit pressure in a system. Ideal for continuous duty providing accurate pressure control with constant or varying flows. 1ARC100 provides make up flow through an inbuilt check.

OPERATION

When the inlet reaches the valve setting, the pilot section opens, causing a small flow across the orifice in the spool. The subsequent pressure drop moves the spool, opening a ring of radial holes in the sleeve, allowing relief flow to tank.

PRESSURE DROP



FEATURES

Very low pressure rise for any increase in flow giving accurate pressure control. Hardened working parts give long, reliable, trouble-free life. Cartridge construction giving maximum flexibility in mounting.

SPECIFICATIONS

Figures based on: Oil Temp = 40°C Viscosity = 40 cSt

Rated Flow	150 litres/min (40 US GPM)
Max Setting	400 bar (5800 psi)
Cartridge Material	Working parts hardened and ground steel. External surfaces zinc plated
Body Material	Standard aluminium (up to 210 bar*) Add Suffix '377' for steel option
Mounting Position	Unrestricted
Cavity Number	A881 (See Section 17)
Torque Cartridge into Cavity	60 Nm (44 lbs ft)
Weight	1ARC100 0.14 kg (0.3 lbs) 1ARC145 0.54 kg (1.2 lbs) 1ARC150 0.65 kg (1.4 lbs) 1ARC155 0.91 kg (2.0 lbs)
Seal Kit Number	SK164 (Nitrile) SK164V (Viton)
Recommended Filtration Level	BS5540/4 Class 18/13 (25 micron nominal)
Operation Temp	-20°C to +90°C (Standard seals)
Leakage	35 millilitres/min @ 280 bar
Nominal Viscosity Range	5 to 500 cSt

*For applications above 210 bar please consult our technical department or use the steel body option.

Integrated Hydraulics Ltd

Collins Road, Heathcote Ind. Est., Warwick, CV34 6TF, UK.
Tel: +44 (0) 1926 881171 Fax: +44 (0) 1926 315729
Website: www.integratedhydraulics.com

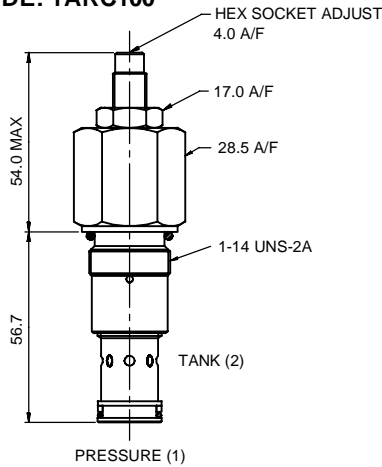
Integrated Hydraulics Inc

7047 Spinach Drive, Mentor, Ohio 44060, USA
Tel: (440) 974 3171 Fax: (440) 974 3170
Website: www.integratedhydraulics.com



CARTRIDGE ONLY

BASIC CODE: 1ARC100

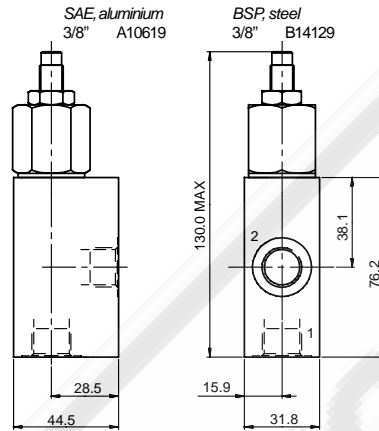


COMPLETE VALVE 3/8" PORTS

BASIC CODE: 1ARC145

Body ONLY part numbers

BSP, aluminium 3/8" B4833 SAE, aluminium 3/8" A10619

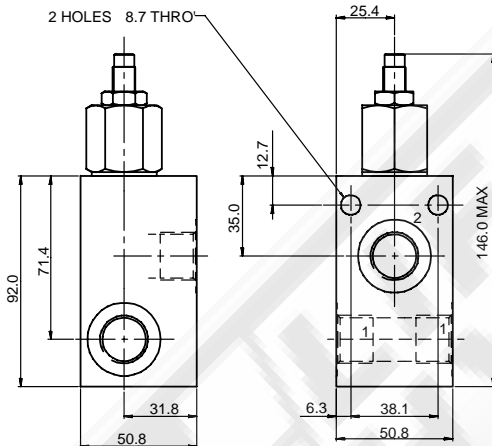


COMPLETE VALVE 3/8" 1/2" 3/4" PORTS

BASIC CODE: 1ARC150

Body ONLY part numbers

BSP, aluminium	SAE, aluminium	BSP, steel	SAE, steel
3/8" C1084	3/8" A10784	3/8" C1083	
1/2" C1044	1/2" C7140	1/2" C593	
3/4" C1086	3/4" A10506	3/4" C4917	3/4" B10742

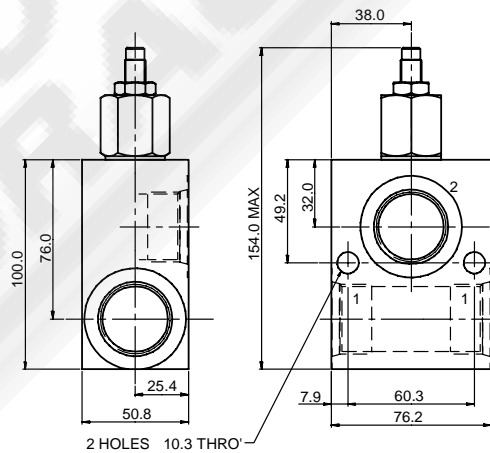


COMPLETE VALVE 1" PORTS

BASIC CODE: 1ARC155

Body ONLY part numbers

BSP, aluminium	SAE, aluminium	BSP, steel	SAE, steel
1" B1617	1" C11254	1" B4596	1" C11583



Where measurements are critical request certified drawings

ORDERING CODE EXAMPLE

1ARC* P 3W 40 S**

Basic Code

- 1ARC100 = Cartridge Only
- 1ARC150 = Cartridge and Body
- 1ARC155 = Cartridge and Body Through ported

Adjustment Means

- P = Leakproof Screw Adjustment
 - R = Handknob Adjustment
 - G = Tamperproof Cap
- (See page 2-102 for dimensions)

Port Sizes - Bodied Valves Only

- | | |
|---------------|----------------|
| 3W = 3/8" BSP | 6T = 3/8" SAE |
| 4W = 1/2" BSP | 8T = 1/2" SAE |
| 6W = 3/4" BSP | 12T = 3/4" SAE |
| 8W = 1" BSP | 16T = 1" SAE |

Seals

- S = Nitrile (For use with most industrial hydraulic oils)
- SV = Viton (For high temperature and most special fluid applications)

Pressure Range @ 14 l/min

- 7 = 10-70 bar. Std setting 35 bar
 - 20 = 10-200 bar. Std setting 100 bar
 - 40 = 50-400 bar. Std setting 280 bar
- Std setting made at 14 litres/min

We reserve the right to change specifications without notice