

# Table of Contents

- How to Order a Rockford<sup>Plus</sup> Cylinder ..... 2
- Standard Port Options and Rod Availability by Stroke..... 2
- Rockford<sup>Plus</sup> Design Features ..... 3
- Rockford<sup>Plus</sup> Per Customer Requirements ..... 3
- Rockford<sup>Plus</sup> ASAE Standard Cylinder Dimensions..... 4
- Rockford<sup>Plus</sup> Non-ASAE Series Cylinder Dimensions ..... 5

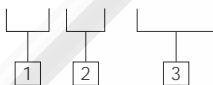
## How to order a Rockford<sup>Plus</sup> Cylinder

### Example

Rockford<sup>Plus</sup> Series  
 2" Bore X 7" Stroke  
 Non-ASAE

### Sample Model Code

**20 07 - AGH**



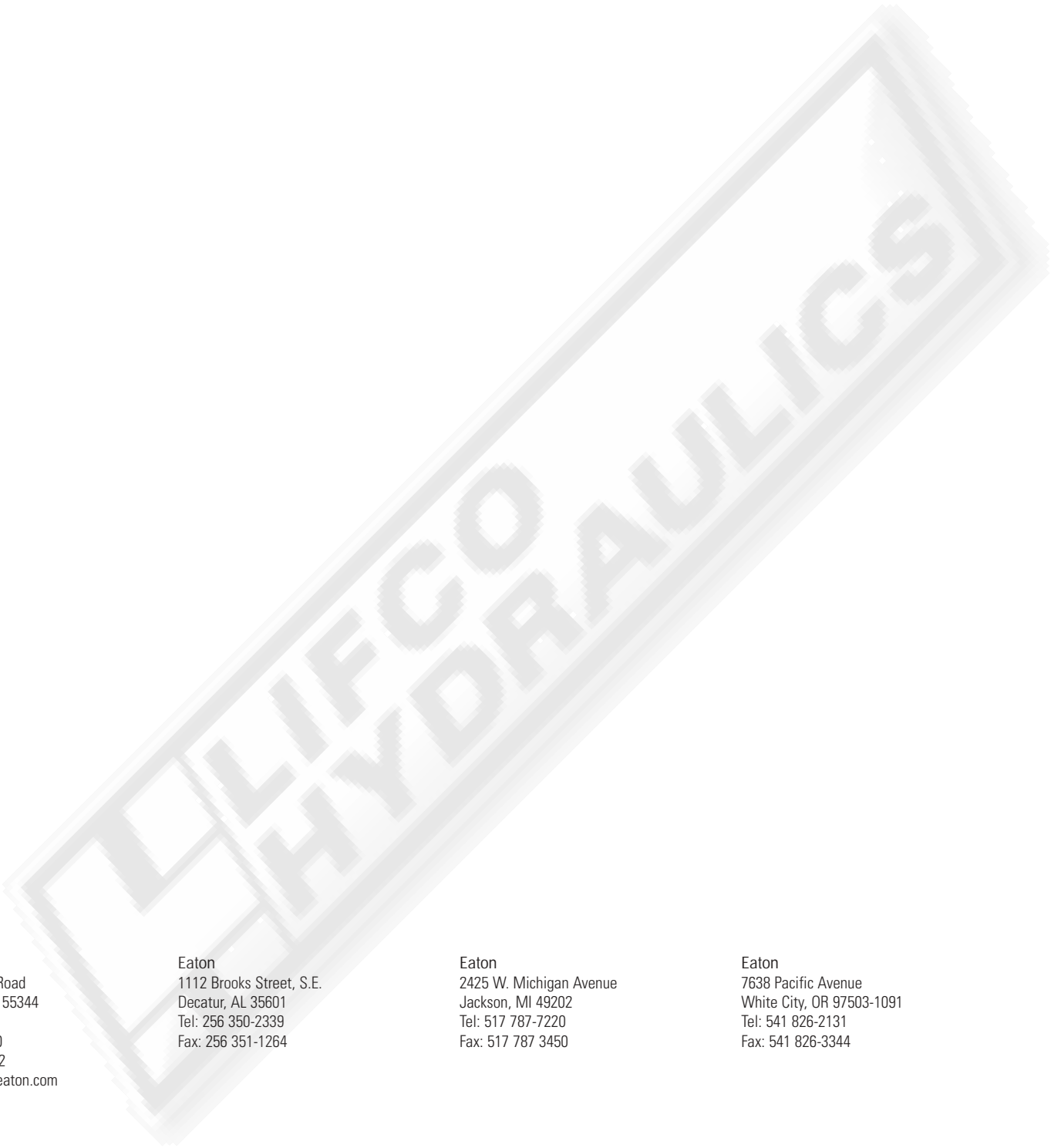
	DESCRIPTION	SYMBOL
1	Bore (inches) x ten	<b>20</b>
2	Stroke (inches)	<b>07</b>
3	Non-ASAE standard ASAE standard	<b>AGH</b> AGAH

## Standard Port Options and Rod Availability by Stroke

BORE DIAMETER	STANDARD PORTS		STANDARD RODS		OPTIONAL RODS	
	NPTF	SAE*	Dia.	Max. Stroke	Dia.	Max. Stroke
2	3/8	6	1-1/8	24"	-	-
2-1/2	3/8	6	1-1/8	12"	1-1/4	16"
3	1/2	8	1-1/4	20"	1-1/2	24"
3-1/2	1/2	8	1-1/4	16"	1-1/2	24"
4	1/2	8	1-1/2	24"	2	24"
5	1/2	8	2	8"	-	-

\*NPTF Ports are in-line with cap clevis pin.

To order this part, call Lifco Hydraulics USA Toll Free at 1-800-952-7849



Eaton  
14615 Lone Oak Road  
Eden Prairie, MN 55344  
USA  
Tel: 952 937-9800  
Fax: 952 974-7722  
[www.hydraulics.eaton.com](http://www.hydraulics.eaton.com)

Eaton  
1112 Brooks Street, S.E.  
Decatur, AL 35601  
Tel: 256 350-2339  
Fax: 256 351-1264

Eaton  
2425 W. Michigan Avenue  
Jackson, MI 49202  
Tel: 517 787-7220  
Fax: 517 787 3450

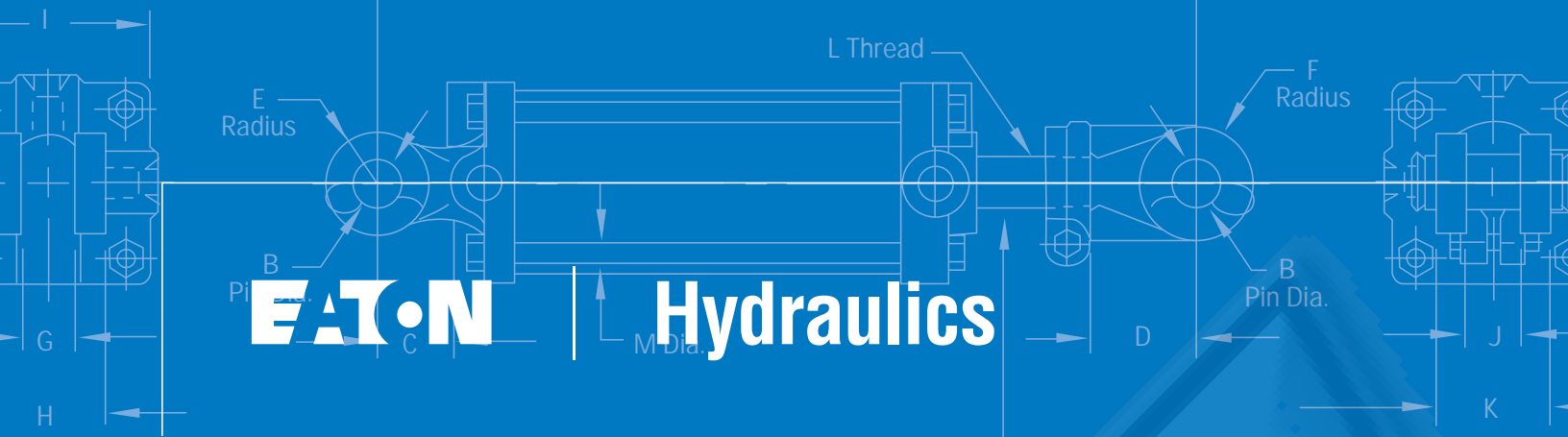
Eaton  
7638 Pacific Avenue  
White City, OR 97503-1091  
Tel: 541 826-2131  
Fax: 541 826-3344



**Hydraulics**

© 2004 Eaton Corporation  
All Rights Reserved  
Printed in USA  
Document No. E-CYAG-TM002-E  
February 2004

To order this part, call Lifco Hydraulics USA Toll Free at 1-800-952-7849  
(Closed Center Dim.)



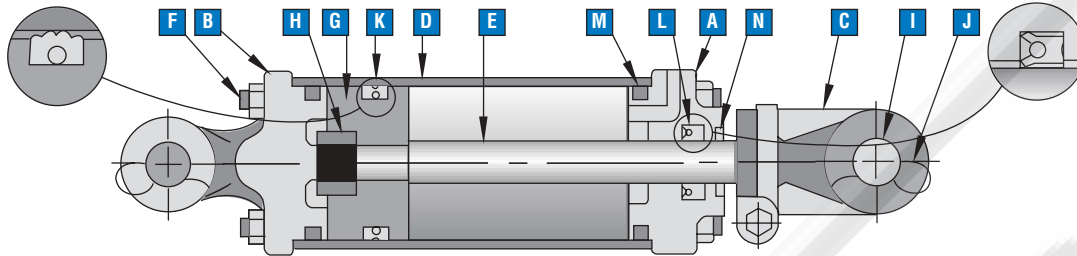
## Agricultural Cylinders

Made to OEM Requirements

Technical Manual

Rockford<sup>Plus</sup> Series





### Features

- A** Ductile iron head casting for high strength
- B** Ductile iron cap clevis casting for high strength
- C** Removable ductile iron clevis with lock-screw locking device
- D** Precision-honed steel tubing for long seal life and positive sealing
- E** Polished hard chrome plated rod for extended seal life
- F** Heavy-duty high tensile strength tie rods with rolled threads
- G** One-piece, high strength ductile iron piston for strength and bearing characteristics
- H** High-strength self-locking piston nut
- I** Plated pins are standard for greater corrosion protection
- J** Heavy gauge plated spring clips are standard
- K** Glass filled Teflon\* piston seal with o-ring expander for longer life
- L** Heavy-duty Urethane rod seal with o-ring expander for long life
- M** O-ring tube seals with backup rings rated for 3000 PSI
- N** Tough urethane rod wiper for extended rod seal life
- O** Cylinders are marked with part number and bar code for permanent identification
- P** Standard black paint
- Q** Both SAE & NPFT ports

\*Teflon is a trademark of E. I. DuPont.

### Rockford<sup>Plus</sup> Per Customer Requirements

#### Specifications

##### Typical Bore Sizes

2" - 5"

##### Pressure Ratings

3000 PSI maximum operating pressure.

4500 PSI proof pressure.

One NPTF port and one SAE port at each end is standard. NPTF port is in-line with cap clevis pin.

##### Typical Custom Features Provided:

- Non-standard stroke lengths
- Custom brackets
- Drilled-passage pistons
- Custom paint
- Special rod ends
- Stroke adjustment
- Special seals

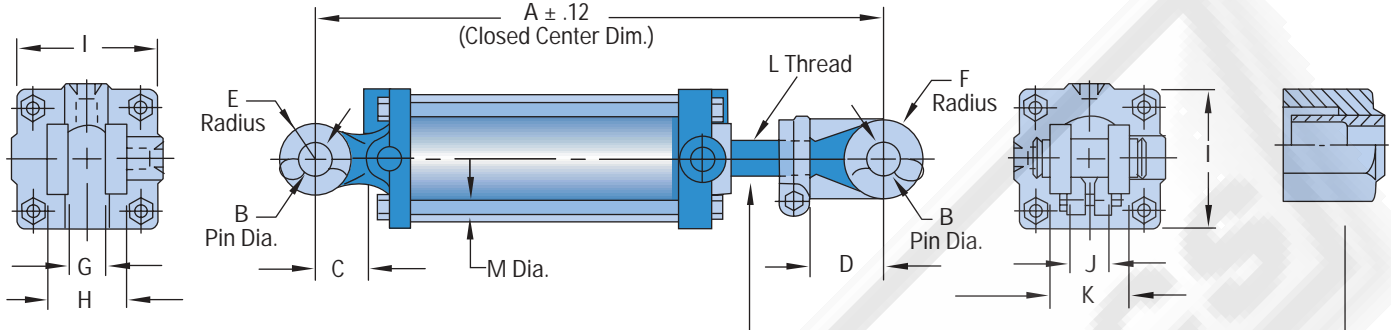
Please inquire regarding your special needs

# Rockford<sup>Plus</sup> ASAE Standard Cylinder Dimensions

To order this part, call Lifco Hydraulics USA Toll Free at 1-800-952-7849

All 8" Stroke, 2"-5" bore cylinders and all 16" stroke, 3"-5" bore cylinders conform to ASAE standards as shown in the charts below.

\* Depth stop option is available for these sizes.



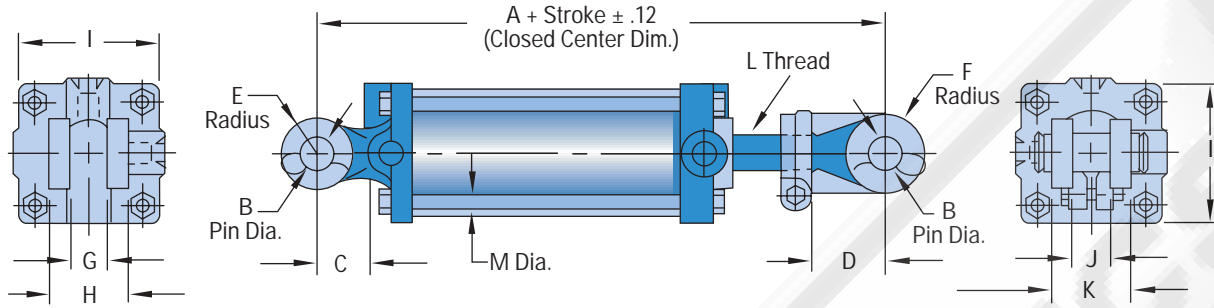
BORE DIAMETER	STROKE	PORT SIZES & TYPES	ROD DIAMETER	PIN DIAMETER
Inches (mm)	Inches (mm)	Inches (mm)	Inches (mm)	Inches (mm)
*2 (50.8)	8 (203.2)	3/8 NPTF SAE-6	1.125 (28.575)	1.000 (25.400)
*2.5 (63.5)	8 (203.2)	3/8 NPTF SAE-6	1.125 (28.575)	1.000 (25.400)
*3 (76.2)	8 (203.2)	1/2 NPTF SAE-8	1.250 (31.750)	1.000 (25.400)
*3.5 (88.9)	8 (203.2)	1/2 NPTF SAE-8	1.250 (31.750)	1.000 (25.400)
*4 (101.6)	8 (203.2)	1/2 NPTF SAE-8	1.500 (38.100)	1.000 (25.400)
**5 (127)	8 (203.2)	1/2 NPTF SAE-8	2.000 (50.800)	1.250 (31.750)
3 (76.2)	16 (406.4)	1/2 NPTF SAE-8	1.500 (38.100)	1.250 (31.750)
3.5 (88.9)	16 (406.4)	1/2 NPTF SAE-8	1.500 (38.100)	1.250 (31.750)
4 (101.6)	16 (406.4)	1/2 NPTF SAE-8	2.000 (50.800)	1.250 (31.750)

\*\* 5" bore cylinders use 2" rod instead of ASAE standard 1-1/2" rod for additional column strength at 3000 PSI.

BORE DIAMETER	A	B	C	D	E	F	G	H	J	K	L	M	N
Inches (mm)	Inches (mm)	Inches (mm)	Inches (mm)	Inches (mm)	Inches (mm)	Inches (mm)	Inches (mm)	Inches (mm)	Inches (mm)	Inches (mm)	Inches (mm)	Inches (mm)	Inches (mm)
*2 (50.8)	20.250 (514.350)	1.000 (25.400)	2.063 (52.388)	2.125 (53.975)	1.000 (25.400)	1.000 (25.400)	1.125 (28.575)	2.500 (63.500)	1.125 (28.575)	2.625 (66.625)	1.063 - 12	.343 (8.71)	2.87 (73)
*2.5 (63.5)	20.250 (514.350)	1.000 (25.400)	2.063 (52.388)	2.125 (53.975)	1.000 (25.400)	1.000 (25.400)	1.125 (28.575)	2.625 (66.675)	1.125 (28.575)	2.625 (66.625)	1.063 - 12	.343 (8.71)	3.23 (82)
*3 (76.2)	20.250 (514.350)	1.000 (25.400)	2.063 (52.388)	2.125 (53.975)	1.250 (31.750)	1.250 (31.750)	1.125 (28.575)	3.125 (79.375)	1.125 (28.575)	3.125 (79.375)	1.250 - 12	.463 (11.76)	3.78 (96)
*3.5 (88.9)	20.250 (514.350)	1.000 (25.400)	2.063 (52.388)	2.125 (53.975)	1.250 (31.750)	1.250 (31.750)	1.125 (28.575)	3.125 (79.375)	1.125 (28.575)	3.125 (79.375)	1.250 - 12	.521 (13.23)	4.25 (108)
*4 (101.6)	20.250 (514.350)	1.000 (25.400)	2.063 (52.388)	2.125 (53.975)	1.250 (31.750)	1.250 (31.750)	1.125 (28.575)	3.125 (79.375)	1.125 (28.575)	3.125 (79.375)	1.500 - 12	.584 (14.83)	5.00 (127)
5 (127)	20.250 (514.350)	1.250 (31.750)	2.390 (60.700)	2.125 (53.975)	1.500 (38.100)	1.250 (31.750)	1.125 (28.575)	3.500 (88.900)	1.125 (28.575)	3.125 (79.375)	1.500 - 12	.584 (14.83)	5.98 (152)
3 (76.2)	31.500 (800.100)	1.250 (31.750)	2.063 (52.388)	2.125 (53.975)	1.250 (31.750)	1.250 (31.750)	1.125 (28.575)	3.125 (79.375)	1.125 (28.575)	3.125 (79.375)	1.500 - 12	.463 (11.76)	3.78 (96)
3.5 (88.9)	31.500 (800.100)	1.250 (31.750)	2.063 (52.388)	2.125 (53.975)	1.250 (31.750)	1.250 (31.750)	1.125 (28.575)	3.125 (79.375)	1.125 (28.575)	3.125 (79.375)	1.500 - 12	.521 (13.23)	4.25 (108)
4 (101.6)	31.500 (800.100)	1.250 (31.750)	2.063 (52.388)	2.125 (53.975)	1.250 (31.750)	1.250 (31.750)	1.125 (28.575)	3.125 (79.375)	1.125 (28.575)	3.125 (79.375)	1.500 - 12	.584 (14.83)	5.00 (127)

# Rockford<sup>Plus</sup> Non-ASAE Cylinder Dimensions

To order this part, call Lifco Hydraulics USA Toll Free at 1-800-952-7849



<b>BORE DIA.</b>	<b>A</b>	<b>B</b>	<b>C</b>	<b>D</b>	<b>E</b>	<b>F</b>	<b>G</b>	<b>H</b>	<b>J</b>	<b>K</b>	<b>L</b>	<b>M</b>	<b>N</b>
<b>Inches (mm)</b>	<b>Inches (mm)</b>	<b>Inches (mm)</b>	<b>Inches (mm)</b>	<b>Inches (mm)</b>	<b>Inches (mm)</b>	<b>Inches (mm)</b>	<b>Inches (mm)</b>	<b>Inches (mm)</b>	<b>Inches (mm)</b>	<b>Inches (mm)</b>	<b>Inches</b>	<b>Inches (mm)</b>	<b>Inches (mm)</b>
2.000 (50.800)	10.250 (260.350)	1.000 (25.400)	2.060 (52.400)	2.125 (53.975)	1.000 (25.400)	1.000 (25.400)	1.125 (28.575)	2.500 (63.500)	1.125 (28.575)	2.625 (66.675)	1.063 - 12	.343 (8.710)	2.870 (73.000)
2.500 (63.500)	10.250 (260.350)	1.000 (25.400)	2.060 (52.400)	2.125 (53.975)	1.000 (25.400)	1.000 (25.400)	1.125 (28.575)	2.625 (66.675)	1.125 (28.575)	2.625 (66.675)	1.063 - 12	.343 (8.710)	3.230 (82.000)
3.000 (76.200)	10.250 (260.350)	1.000 (25.400)	2.060 (52.400)	2.125 (53.975)	1.250 (31.750)	1.250 (31.750)	1.125 (28.575)	3.125 (79.375)	1.125 (28.575)	3.125 (79.375)	1.250 - 12	.463 (11.760)	3.780 (96.000)
3.500 (88.900)	10.250 (260.350)	1.000 (25.400)	2.060 (52.400)	2.125 (53.975)	1.250 (31.750)	1.250 (31.750)	1.125 (28.575)	3.125 (79.375)	1.125 (28.575)	3.125 (79.375)	1.250 - 12	.521 (13.230)	4.250 (108.000)
4.000 (101.600)	10.250 (260.350)	1.000 (25.400)	2.060 (52.400)	2.125 (53.975)	1.250 (31.750)	1.250 (31.750)	1.125 (28.575)	3.125 (79.375)	1.125 (28.575)	3.125 (79.375)	1.500 - 12	.584 (14.830)	5.000 (127.000)