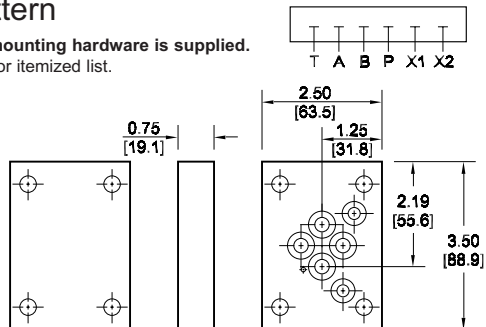




S04, S06 Servo Valve Cover Plates

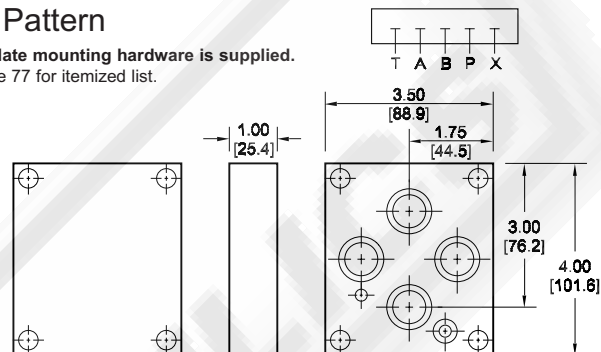
Parallel Circuit Cover Plate S04 Pattern

Cover Plate mounting hardware is supplied.
See page 77 for itemized list.



Parallel Circuit Cover Plate S06 Pattern

Cover Plate mounting hardware is supplied.
See page 77 for itemized list.



Specifications, descriptions, and dimensional data are subject to correction or change without notice or incurring obligation. Download latest catalog page revisions at www.damanifolds.com.

Ordering Information

