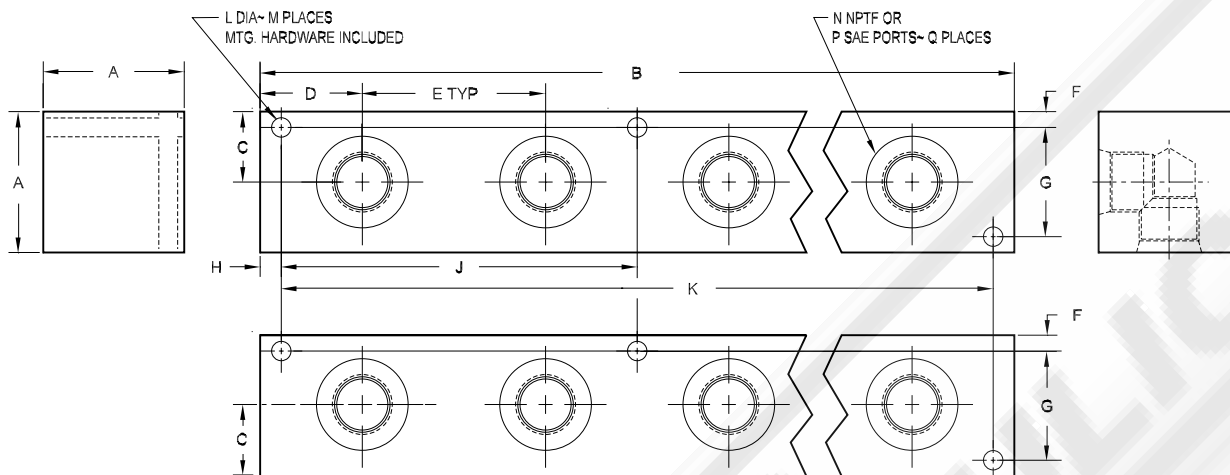




Junction Manifolds - 90° Design

Junction block mounting hardware is supplied.
See page 179 for itemized list.



Specifications, descriptions, and dimensional data are subject to correction or change without notice or incurring obligation. Download latest catalog page revisions at www.damanifolds.com.

Ordering Information

Material	Product Type	Side Port Layout	No. of Stations	Side Port Threads																																															
<table border="1"> <thead> <tr> <th colspan="2">Material</th> </tr> </thead> <tbody> <tr> <td>A</td> <td>Aluminum - 6061-T6 3000† psi • 20.7 MPa</td> </tr> <tr> <td>D</td> <td>Ductile Iron - D4512 5000† psi • 34.5 MPa</td> </tr> <tr> <td colspan="2">† Working pressure should be considered in accordance with ISO 4413 to determine appropriate material type.</td> </tr> </tbody> </table>	Material		A	Aluminum - 6061-T6 3000† psi • 20.7 MPa	D	Ductile Iron - D4512 5000† psi • 34.5 MPa	† Working pressure should be considered in accordance with ISO 4413 to determine appropriate material type.		<table border="1"> <thead> <tr> <th colspan="2">Product Type</th> </tr> </thead> <tbody> <tr> <td>J</td> <td>Junction Block</td> </tr> </tbody> </table>	Product Type		J	Junction Block	<table border="1"> <thead> <tr> <th colspan="2">Side Port Layout</th> </tr> </thead> <tbody> <tr> <td>090</td> <td>Ports out two adjacent sides</td> </tr> </tbody> </table>	Side Port Layout		090	Ports out two adjacent sides	<table border="1"> <thead> <tr> <th colspan="2">No. of Stations</th> </tr> </thead> <tbody> <tr> <td>02</td> <td rowspan="6">Check chart on next page to verify station-port size combinations and stock status</td> </tr> <tr> <td>03</td> </tr> <tr> <td>04</td> </tr> <tr> <td>06</td> </tr> <tr> <td>08</td> </tr> <tr> <td>10</td> </tr> </tbody> </table>	No. of Stations		02	Check chart on next page to verify station-port size combinations and stock status	03	04	06	08	10	<table border="1"> <thead> <tr> <th colspan="4">Side Port Threads</th> </tr> </thead> <tbody> <tr> <td>04P</td> <td rowspan="6">NPTF ANSI B1.20.3</td> <td>04S</td> <td rowspan="6">SAE ISO 11926 SAE 1926</td> </tr> <tr> <td>06P</td> <td>06S</td> </tr> <tr> <td>08P</td> <td>08S</td> </tr> <tr> <td>12P</td> <td>12S</td> </tr> <tr> <td>16P</td> <td>16S</td> </tr> <tr> <td>20P</td> <td>20S</td> </tr> <tr> <td>24P</td> <td>24S</td> <td colspan="2">Check chart on next page to verify station-port size combinations</td> </tr> </tbody> </table>	Side Port Threads				04P	NPTF ANSI B1.20.3	04S	SAE ISO 11926 SAE 1926	06P	06S	08P	08S	12P	12S	16P	16S	20P	20S	24P	24S	Check chart on next page to verify station-port size combinations	
Material																																																			
A	Aluminum - 6061-T6 3000† psi • 20.7 MPa																																																		
D	Ductile Iron - D4512 5000† psi • 34.5 MPa																																																		
† Working pressure should be considered in accordance with ISO 4413 to determine appropriate material type.																																																			
Product Type																																																			
J	Junction Block																																																		
Side Port Layout																																																			
090	Ports out two adjacent sides																																																		
No. of Stations																																																			
02	Check chart on next page to verify station-port size combinations and stock status																																																		
03																																																			
04																																																			
06																																																			
08																																																			
10																																																			
Side Port Threads																																																			
04P	NPTF ANSI B1.20.3	04S	SAE ISO 11926 SAE 1926																																																
06P		06S																																																	
08P		08S																																																	
12P		12S																																																	
16P		16S																																																	
20P		20S																																																	
24P	24S	Check chart on next page to verify station-port size combinations																																																	



Junction Manifolds - 90° Design

PART NO.	A	B	C	D	E	F	G	H	J	K	L	M	N	P	Q
J0900304		5.63 [142.9]							--	5.00 [127.0]		4			6
J0900404	1.75	7.38 [187.3]							--	6.75 [171.5]		4			8
J0900604	[44.5]	10.88 [276.2]	0.88	1.06	1.75	0.25	1.25	0.31	5.13 [130.2]	10.25 [260.4]	0.28	6	1/4	-4	12
J0900804		14.38 [365.1]	[22.2]	[27.0]	[44.5]	[6.4]	[31.8]	[7.9]	6.88 [174.6]	13.75 [349.3]	[7.1]	6			16
J0901004		17.88 [454.0]							8.63 [219.1]	17.25 [438.2]		6			20
J0900206		5.00 [127.0]							--	4.38 [111.1]		4			4
J0900306		7.00 [177.8]							--	6.38 [161.9]		4			6
J0900406	1.75	9.00 [228.6]	0.88	1.50	2.00	0.25	1.25	0.31	--	8.38 [212.7]	0.28	4	3/8	-6	8
J0900606	[44.5]	13.00 [330.2]	[22.2]	[38.1]	[50.8]	[6.4]	[31.8]	[7.9]	6.19 [157.2]	12.38 [314.3]	[7.1]	6			12
J0900806		17.00 [431.8]							8.19 [208.0]	16.38 [415.9]		6			16
J0901006		21.00 [533.4]							10.19 [258.8]	20.38 [517.5]		6			20
J0900208		5.38 [136.5]							--	4.75 [120.7]		4			4
J0900308		7.75 [196.9]							--	7.13 [181.0]		4			6
J0900408	2.00	10.13 [257.2]	1.00	1.50	2.38	0.25	1.50	0.31	--	9.50 [241.3]	0.28	4	1/2	-8	8
J0900608	[50.8]	14.88 [377.8]	[25.4]	[38.1]	[60.3]	[6.4]	[38.1]	[7.9]	7.13 [181.0]	14.25 [362.0]	[7.1]	6			12
J0900808		19.63 [498.5]							9.50 [241.3]	19.00 [482.6]		6			16
J0901008		24.38 [619.1]							11.88 [301.6]	23.75 [603.3]		6			20
J0900212		6.88 [174.6]							--	6.13 [155.6]		4			4
J0900312		10.13 [257.2]							--	9.38 [238.1]		4			6
J0900412	2.50	13.38 [339.7]	1.25	1.81	3.25	0.28	1.94	0.38	--	12.63 [320.7]	0.34	4	3/4	-12	8
J0900612	[63.5]	19.88 [504.8]	[31.8]	[46.0]	[82.6]	[7.1]	[49.2]	[9.5]	9.56 [242.9]	19.13 [485.8]	[8.7]	6			12
J0900812		26.38 [669.9]							12.81 [325.4]	25.63 [650.9]		6			16
J0901012		32.88 [835.0]							16.06 [408.0]	32.13 [816.0]		6			20
J0900216		7.75 [197.0]							--	7.00 [177.8]		4			4
J0900316		11.50 [292.1]							--	10.75 [273.1]		4			6
J0900416	3.00	15.25 [387.4]	1.50	2.00	3.75	0.34	2.31	0.38	--	14.50 [368.3]	0.41	4	1"	-16	8
J0900616	[76.2]	22.75 [577.9]	[38.1]	[50.8]	[95.3]	[8.7]	[58.7]	[9.5]	11.00 [279.4]	22.00 [558.8]	[10.3]	6			12
J0900816		30.25 [768.4]							14.75 [374.7]	29.50 [749.3]		6			16
J0901016		37.75 [958.9]							18.50 [469.9]	37.00 [939.8]		6			20
J0900220		8.50 [215.9]							--	7.50 [190.5]		4			4
J0900320		12.50 [317.5]							--	11.50 [292.1]		4			6
J0900420	3.50	16.50 [419.1]	1.75	2.25	4.00	0.41	2.69	0.50	--	15.50 [393.7]	0.53	4	1-1/4	-20	8
J0900620	[88.9]	24.50 [622.3]	[44.5]	[57.2]	[101.6]	[10.3]	[68.3]	[12.7]	11.75 [298.5]	23.50 [596.9]	[13.5]	6			12
J0900820		32.50 [825.5]							15.75 [400.1]	31.50 [800.1]		6			16
J0900224		10.00 [254.0]							--	9.00 [228.6]		4			4
J0900324		15.00 [381.0]							--	14.00 [355.6]		4			6
J0900424	4.00	20.00 [508.0]	2.00	2.50	5.00	0.41	3.19	0.50	--	19.00 [482.6]	0.53	4	1-1/2	-24	8
J0900624	[101.6]	30.00 [762.0]	[50.8]	[63.5]	[127.0]	[10.3]	[81.0]	[12.7]	9.50 [241.3]	29.00 [736.6]	[13.5]	6			12

Custom Products

Standard Manifolds

Cover Plates

Valve Adaptors

Subplates

Servo Valve Subplates

Tapping Plates

DIN Cartridge Valve Bodies

Header and Junction Blocks

Technical Information